

Installation Manual

tyco

S3880 - 12"H, 6 Load Fuse Panel

For Use In Lineage J85500A-2 Power Bay



MANUFACTURED BY

Gus Berthold Electric Company
1900 W. Carroll Avenue
Chicago, Illinois 60612

Phone: 312-243-5767 Fax: 312-243-5811
E-mail: info@bertholdelectric.com





Installation Manual

S3880 - 12"H, 6 Load Fuse Panel

For Use In Lineage J85500A-2 Power Bay

408498897 - S3880-L1 6 Load Fuse Panel (70-250A Pullouts)

408499770 - S3880-L2 6 Load Fuse Panel (300-800A Pullouts)

408472322 - 70-250A Pullout Only

408472330 - 300-800A Pullout Only



MANUFACTURED BY

Gus Berthold Electric Company

1900 W. Carroll Avenue

Chicago, Illinois 60612

Phone: 312-243-5767 Fax: 312-243-5811

E-mail: info@bertholdelectric.com



Table Of Contents

S3880 6 Load Fuse Panel	pages 1 - 2
S3880 Installation Instructions	pages 3 - 4
S3880 Wiring Diagram	pages 5 - 6
S3880 Hardware List	pages 7 - 8
S3880 Component List	pages 9 -10

S3880 6 Load Fuse Panel

Description:

- The Gus Berthold S3880 fuse panel is a 6 load, 70-800A fuse panel designed for use in all Tyco Electronics J85500A2 power distribution cabinets.
- Compact design mounts in 12 inches of vertical space
- All fuse positions equipped with metering shunts
- GMT type alarm fuses
- Alarm LED on each fuse block
- Pullout has fuse presence window that allows for easy viewing of installed fuse ampere rating
- Comcoded version available with 70-250A fuse pull holders or 300-800A fuse holders
- Individual fuse holders available in 70-250A or 300-800A sizes
- Paint color matches existing equipment

Application:

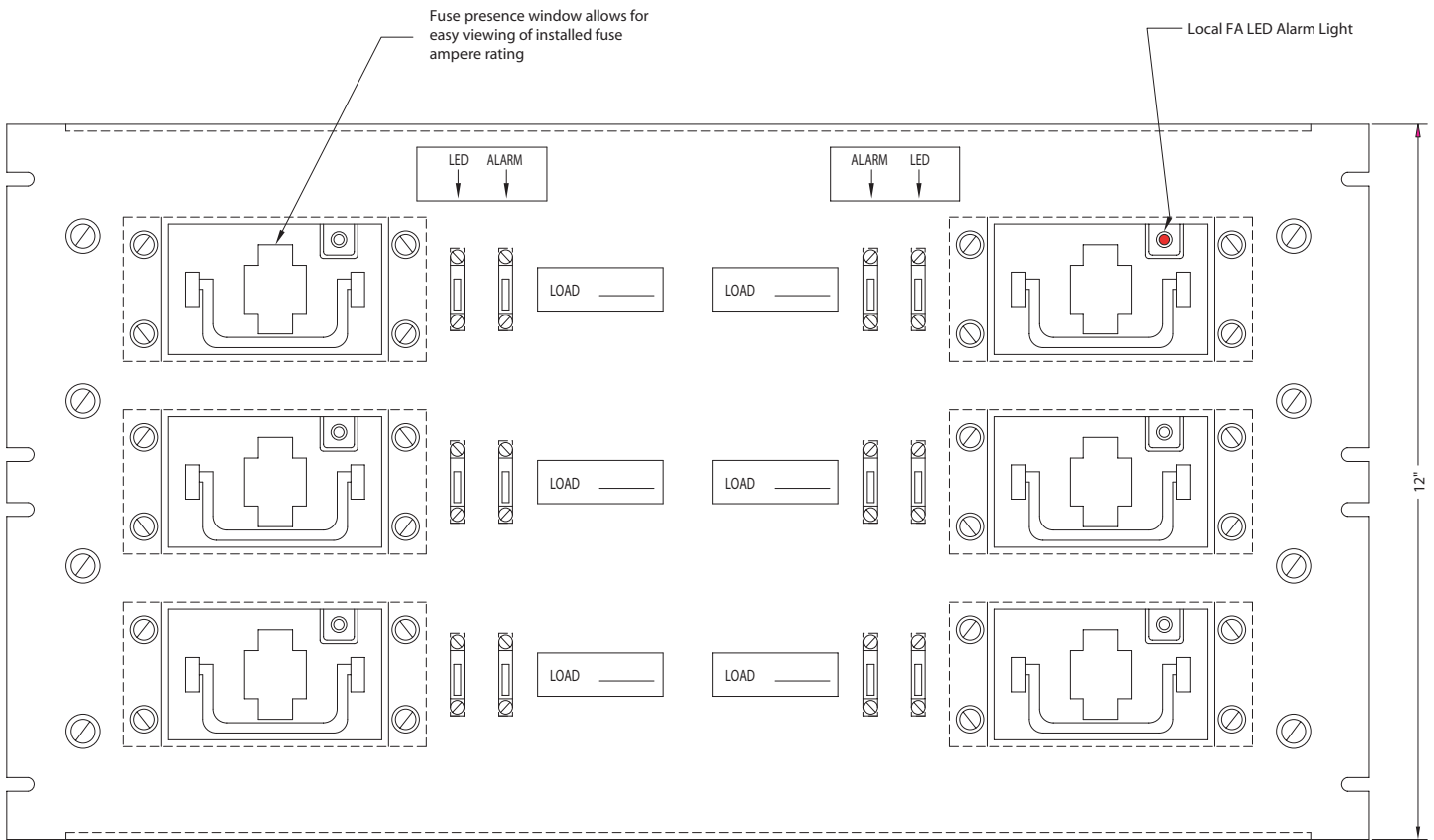
- The S3880, 6 load fuse panel was designed to accommodate the growing trend toward 6 load BDFB's.
- Compact design takes advantage of the 4800A capacity in the Tyco Electronic J85500A2, L-11 and L-12 power distribution cabinets
- Bolts to main vertical bus same as standard fuse panels

Electrical Specifications:

- Voltage Rating: 80 Volts DC
- Ampere Rating: 70 to 800 Amps
- U.L. Withstand Rating: 100,000A
- Busbar Material: Silverplated Copper

Features:

- Direct fit into A2 Distribution Bays
- Red LED indicating light for blown fuse
- 800A, 50mv Metering Shunts
- Includes 1/2A GMT Fuses (8 spares)
- Includes all mounting hardware



Comcode Numbers:

- 408498897 - S3880-L1 6 Load Fuse Panel (70-250A Pullouts)
- 408499770 - S3880-L2 6 Load Fuse Panel (300-800A Pullouts)
- 408472322- 70-250A Pullout Only
- 408472330- 300-800A Pullout Only

S3880 Installation Instructions

S3880 Installation Hardware:

Item No.	Location	Description	Quantity
1A	6 Load Fuse Pan to PBD	1/4-20 x 5/8"L Slotted HH Self- Tapping	8
2A	Shunt Line Bus to PBD Vertical Bus	1/4-20 x 1 1/4"L HH Bolt, 2W, LW, N	10
3A	Load Bus to Hypress Lug	3/8-16 x 1 1/4"L HH Bolt, 2W, LW, N	24
4A	Front Pan	GMT Fuse- Bussmann #GMT-1/2A	8

Installation Notes:

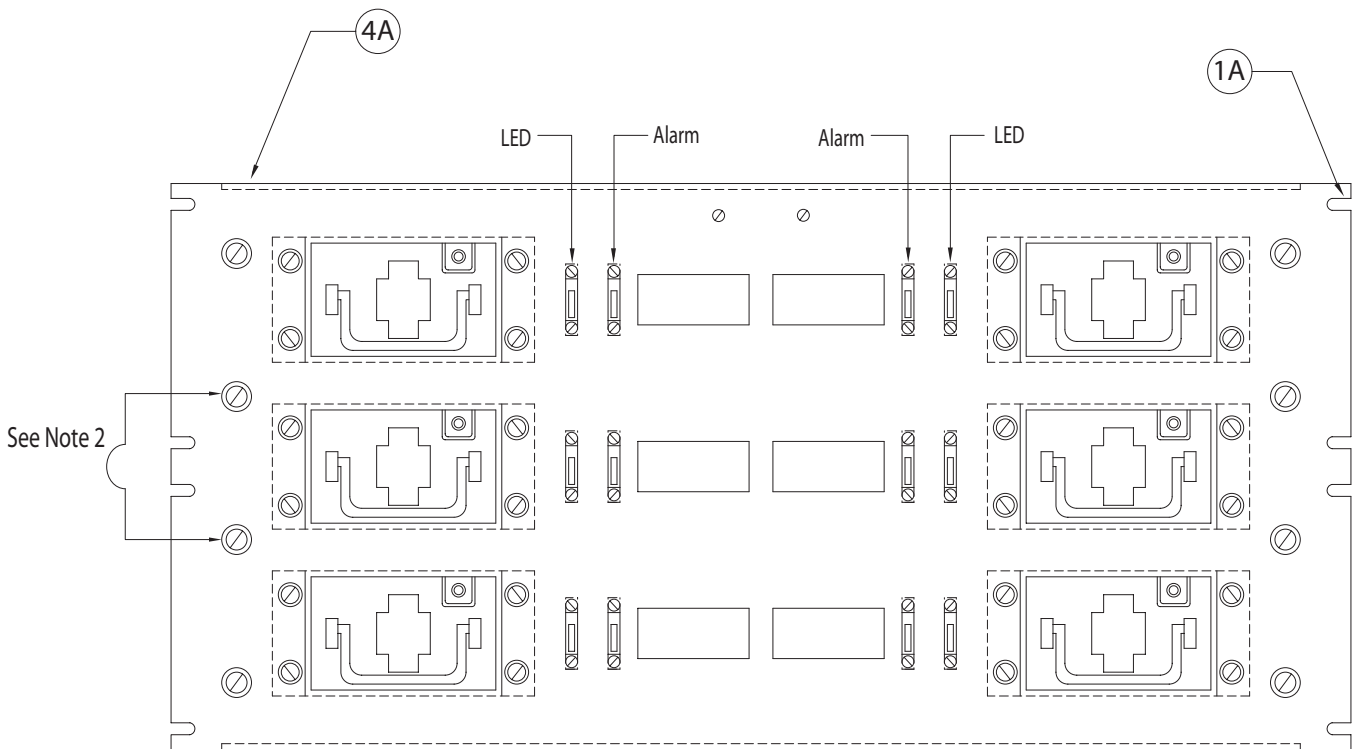
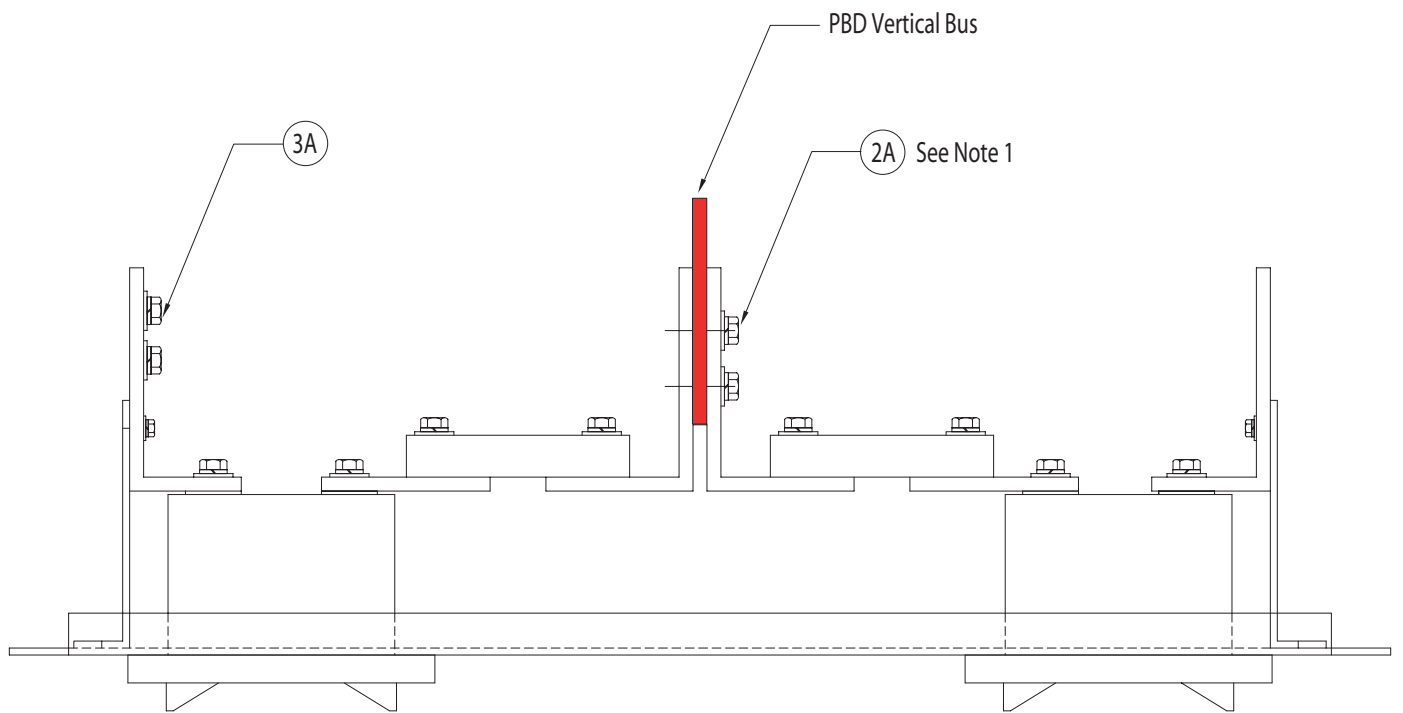
- 1- Item 2A (1/4-20 x 1 1/4L Bolts) are to be torqued to 7ft/lbs.
- 2- The S3880 Fuse panel is supplied with (1) set of installation handles. Once fuse panel is bolted in place, remove handle bracket assembly, and re-tighten 1/4-20 screws.
- 3- Connect the white wire to the ground return bus (See pages 5-6 for wiring diagram).
- 4- Connect the green alarm wire to the monitoring equipment.

Perform ALL this work prior to installing the TPL Fuses

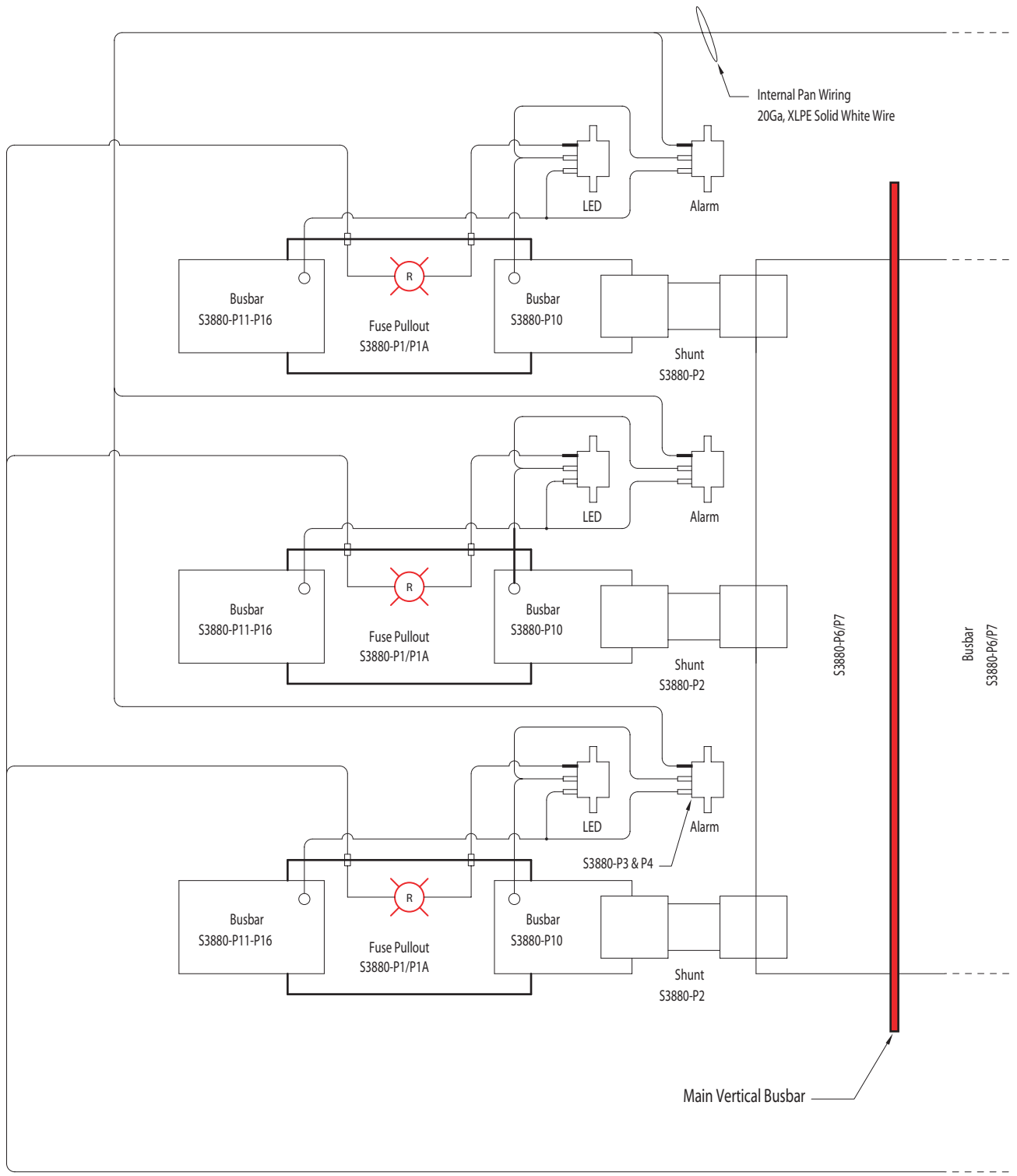
Test Procedure:

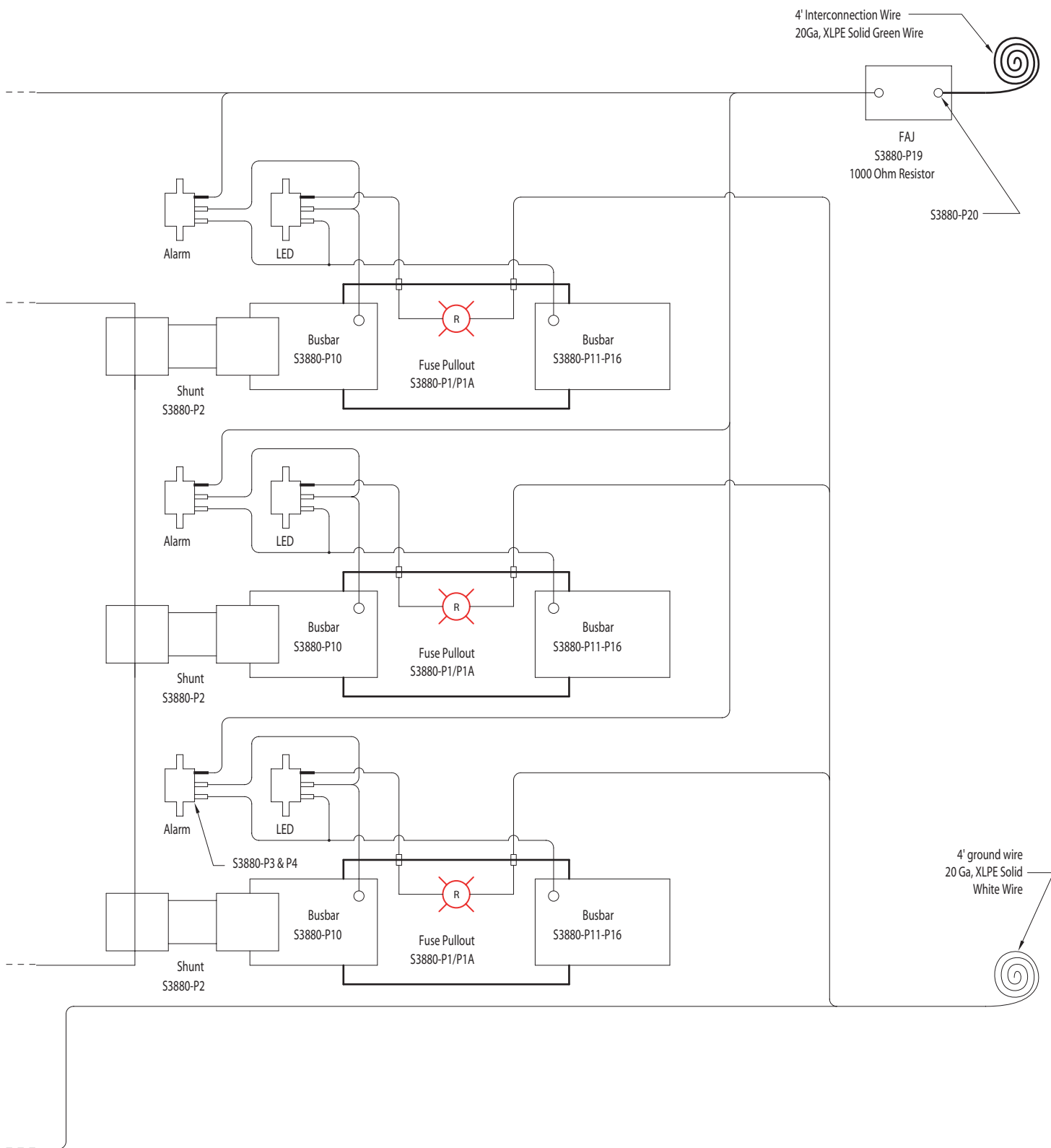
(Note that this procedure is independent of the presence of TPL fuses and/or equipment loads)

- 1- Simulate a blown target fuse by clipping the fuse's thin retaining wire.
- 2- To test the LED, insert the blown target fuse in the appropriate holder - it's LED should light.
- 3- To test the alarm, insert the blown target fuse in any alarm fuse holder. Verify that the monitoring equipment registers an alarm.



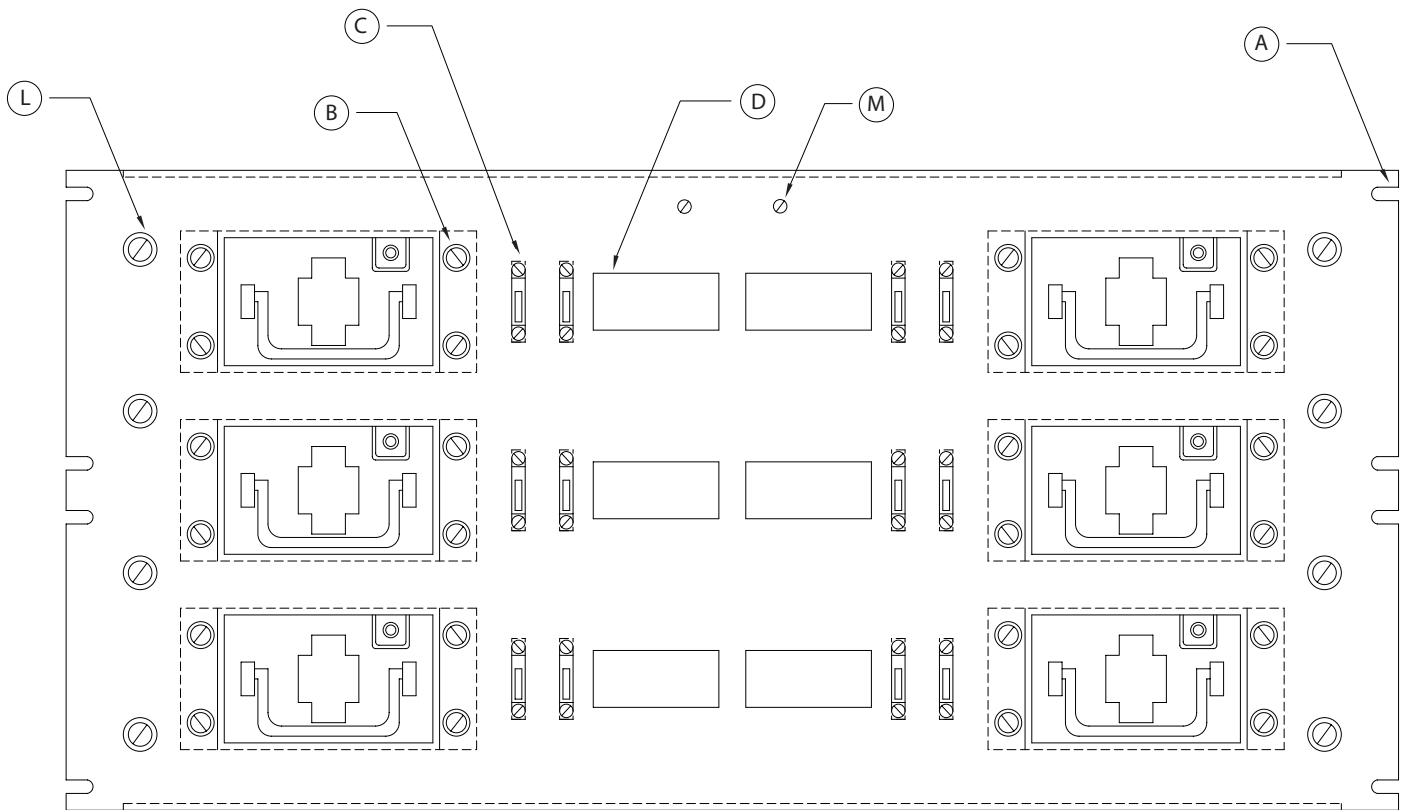
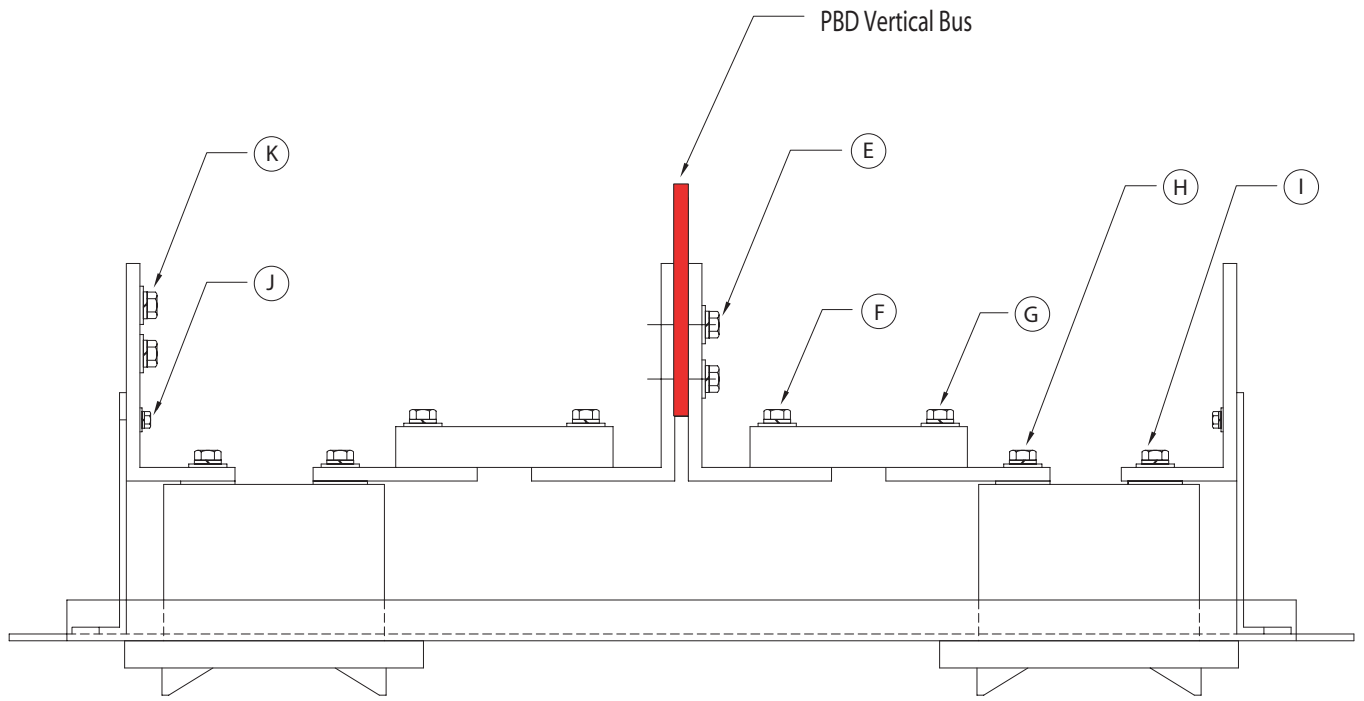
S3880 Wiring Diagram





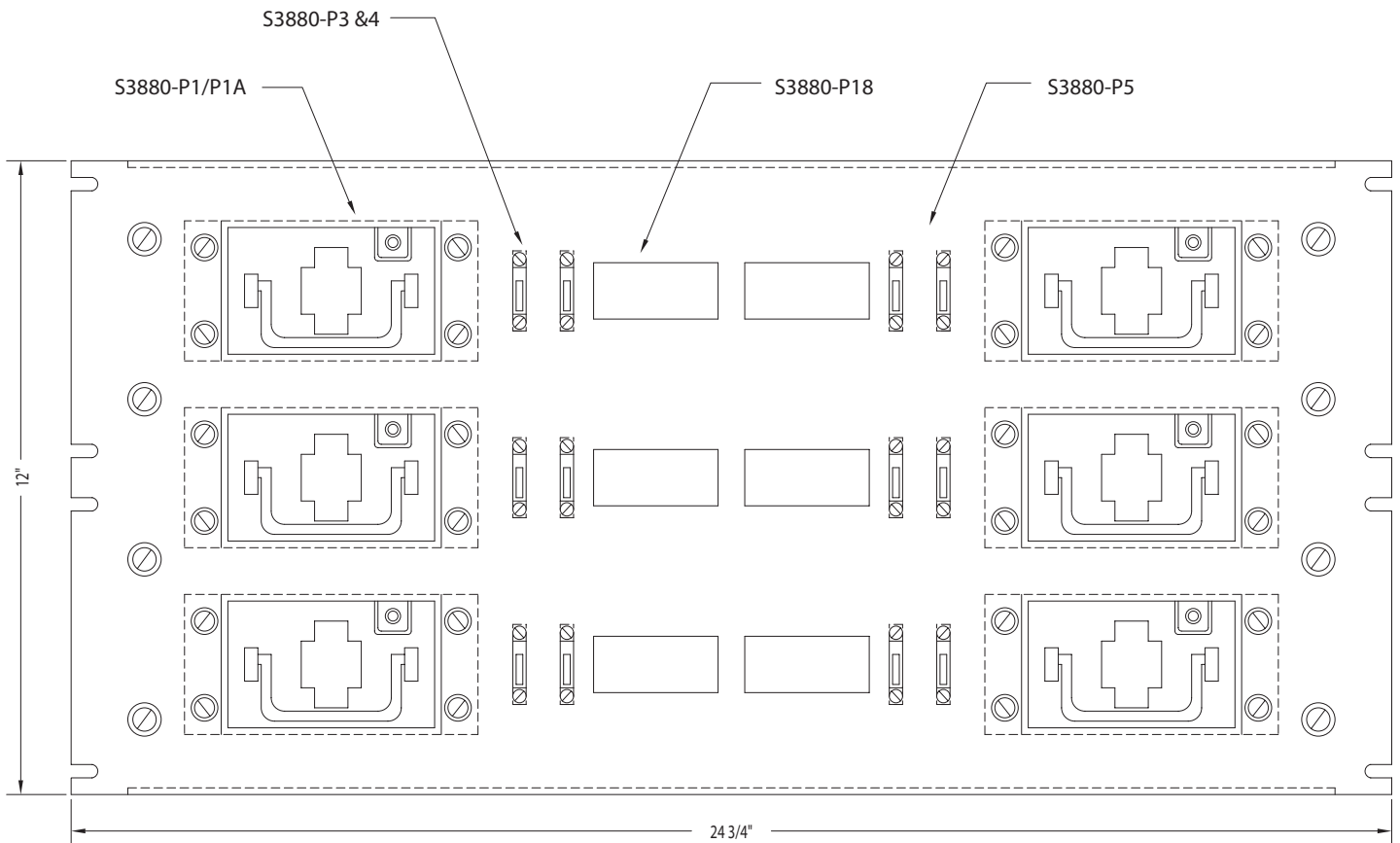
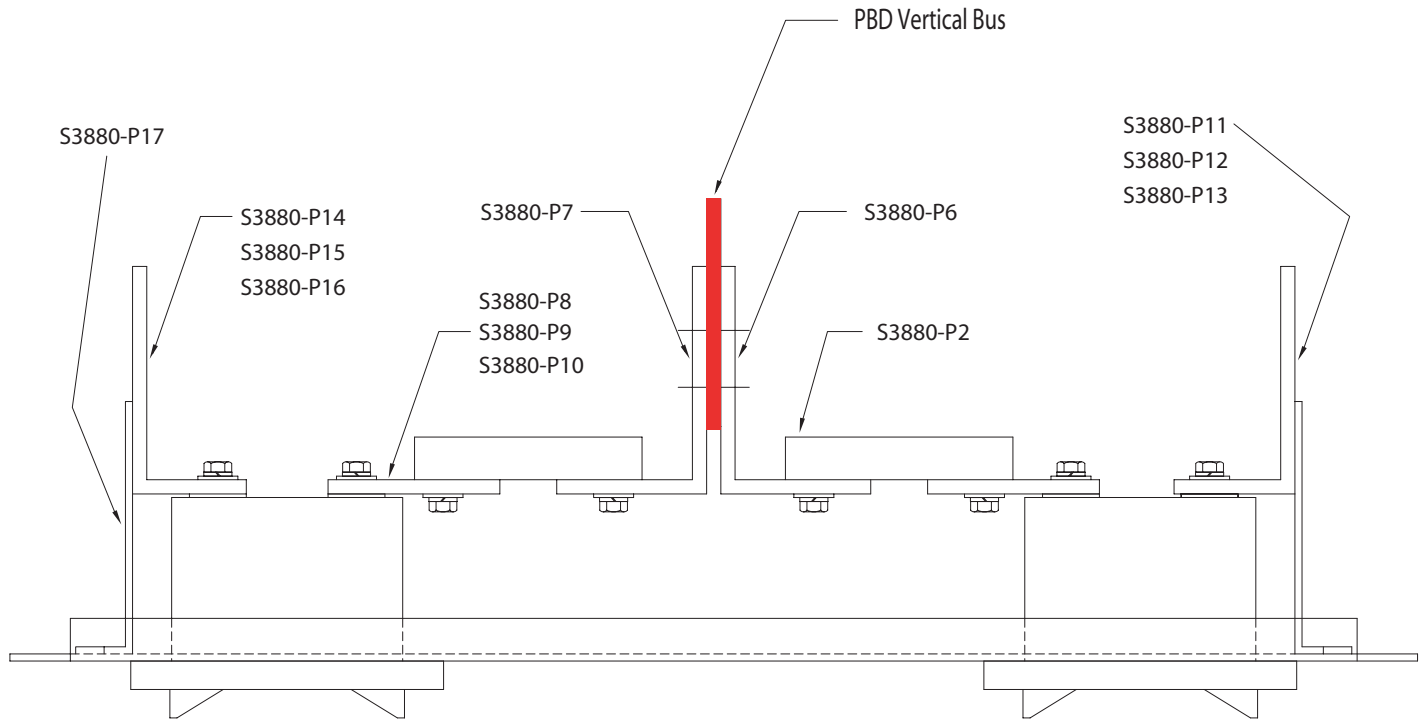
S3880 Hardware List

Item No.	Location		Quantity
(A)	6 Load Fuse Pan to PBD	1/4-20 x 5/8"L Slotted HH Self- Tapping	8
(B)	TPHCS to Front Mounting Pan	10-32 x 1"L Slotted Pan Head, 2W, LW, N	24
(C)	HLT-01-ML Fuse Holder to Front Mounting Pan	6-32 x 3/8"L Slotted Round Head, N	24
(D)	Self-Adhesive Nameplate (By Customer)	N/A	0
(E)	Shunt Line Bus to PBD Vertical Bus	1/4-20 x 1 1/4"L HH Bolt, 2W, LW, N	10
(F)	800A Shunt to Shunt Line Bus	3/8-16 x 1 3/4"L HH Bolt, 2W, LW, N	6
(G)	800A Shunt to Shunt Load Bus	3/8-16 x 1 3/4"L HH Bolt, 2W, LW, N	6
(H)	Shunt Load Bus to TPHCS	5/16-18 x 3/4"L HH Bolt, W, LW, N	12
(I)	TPHCS to Load Bus	5/16-18 x 3/4"L HH Bolt, W, LW, N	12
(J)	Load Bus to Fiberglass Support Angle	1/4-20 x 7/8"L HH Bolt, 2W, LW, N	12
(K)	Load Bus to Hypress Lug	3/8-16 x 1 1/4"L HH Bolt, 2W, LW, N	24
(L)	Fiberglass Support Angle to Front Mounting Pan	1/4-20 x 1"L Round Head Screw, 2W, LW, N	8
(M)	Resistor Mounting Post to Front Mounting Pan	6-32 x 3/8"L Slot Binding Screw, 2 FW, LW	2



S3880 Component List

Component	Description	Dwg. No.	Quantity
S3880-P1	High Current Switch- Bussmann Cat. #TPHCS250-EL	N/A	6
S3880-P1A	High Current Switch- Bussmann Cat. #TPHCS800-EL	N/A	6
S3880-P2	800A, 50mv Shunt- Crompton Cat. #C800-T	S3880-1	6
S3880-P3	Fuseholder- Bussmann #HLT-01-ML	N/A	12
S3880-P4	GMT Fuse- Bussmann #GMT-1/2A	N/A	12
S3880-P5	Front Mounting Pan	S3880-2	1
S3880-P6	Shunt Line Bus- Right Side	S3880-3	2
S3880-P7	Shunt Line Bus- Left Side	S3880-3	2
S3880-P8	Shunt Load Bus- Top Pullout	S3880-4	2
S3880-P9	Shunt Load Bus- Center Pullout	S3880-4	2
S3880-P10	Shunt Load Bus- Bottom Pullout	S3880-4	2
S3880-P11	TPHCS Load Bus- Right, Top	S3880-5	1
S3880-P12	TPHCS Load Bus- Right, Center	S3880-5	1
S3880-P13	TPHCS Load Bus- Right, Bottom	S3880-5	1
S3880-P14	TPHCS Load Bus- Left, Top	S3880-6	1
S3880-P15	TPHCS Load Bus- Left, Center	S3880-6	1
S3880-P16	TPHCS Load Bus- Left, Bottom	S3880-6	1
S3880-P17	TPHCS Load Bus Fiberglass Support Angle	S3880-7	2
S3880-P18	Self-Adhesive Nameplate (By Customer)	N/A	6
S3880-P19	FAJ 1000 Ohm Resistor	S3880-X4	1
S3880-P20	FAJ 1000 Ohm Resistor Mounting Post	S3880-X4	2







MANUFACTURED BY

Gus Berthold Electric Company
1900 W. Carroll Avenue
Chicago, Illinois 60612

Phone: 312-243-5767 Fax: 312-243-5811
E-mail: info@bertholdelectric.com



MANUFACTURED BY

Gus Berthold Electric Company
1900 W. Carroll Avenue
Chicago, Illinois 60612

Phone: 312-243-5767 Fax: 312-243-5811
E-mail: info@bertholdelectric.com