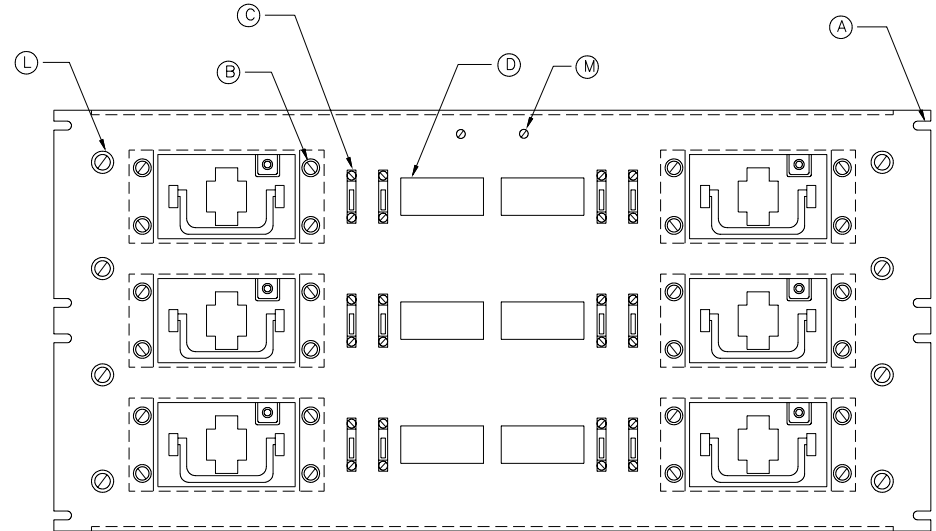
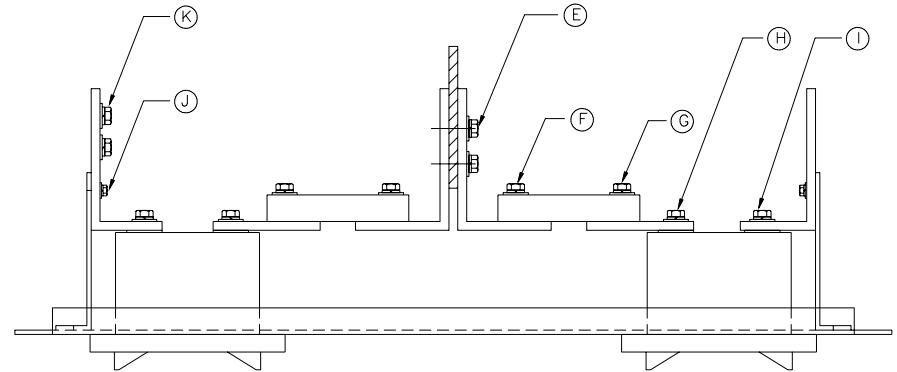


S3880 Hardware List

Item No.	Location		Quantity
(A)	6 Load Fuse Pan to PBD	1/4-20 x 5/8"L Slotted HH Self- Tapping	8
(B)	TPHCS to Front Mounting Pan	10-32 x 1"L Slotted Pan Head, 2W, LW, N	24
(C)	HLT-01-ML Fuse Holder to Front Mounting Pan	6-32 x 3/8"L Slotted Round Head, N	24
(D)	Self-Adhesive Nameplate (By Customer)	N/A	0
(E)	Shunt Line Bus to PBD Vertical Bus	1/4-20 x 1 1/4"L HH Bolt, 2W, LW, N	10
(F)	800A Shunt to Shunt Line Bus	3/8-16 x 1 3/4"L HH Bolt, 2W, LW, N	6
(G)	800A Shunt to Shunt Load Bus	3/8-16 x 1 3/4"L HH Bolt, 2W, LW, N	6
(H)	Shunt Load Bus to TPHCS	5/16-18 x 3/4"L HH Bolt, W, LW, N	12
(I)	TPHCS to Load Bus	5/16-18 x 3/4"L HH Bolt, W, LW, N	12
(J)	Load Bus to Fiberglass Support Angle	1/4-20 x 7/8"L HH Bolt, 2W, LW, N	12
(K)	Load Bus to Hypress Lug	3/8-16 x 1 1/4"L HH Bolt, 2W, LW, N	24
(L)	Fiberglass Support Angle to Front Mounting Pan	1/4-20 x 1"L Round Head Screw, 2W, LW, N	8
(M)	Resistor Mounting Post to Front Mounting Pan	6-32 x 3/8"L Slot Binding Screw, 2 FW, LW	2



FOR:		tyco Electronics		Gus Berthold Electric Co. 1900 W. CARROLL AVENUE CHICAGO, ILLINOIS 60612	
COMCODE:	REVISION #	TELE. 312-243-5767 FAX. 312-243-5811		DRAWING NO.	
DESCRIPTION: 6 Load Fuse Panel Hardware List		DRAWN: MSH	SCALE: NONE	DATE: 03-03-03 DWG. SIZE: B	
				S3880-X3	